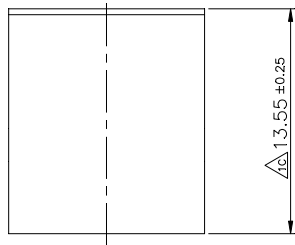
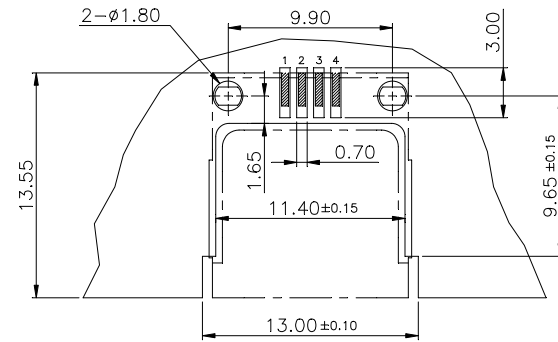
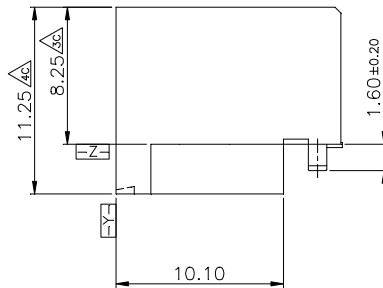
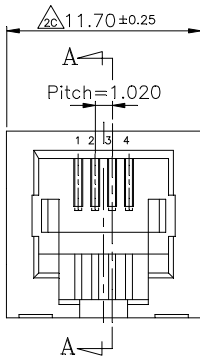


A

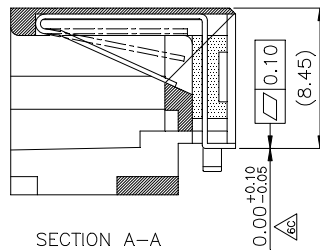
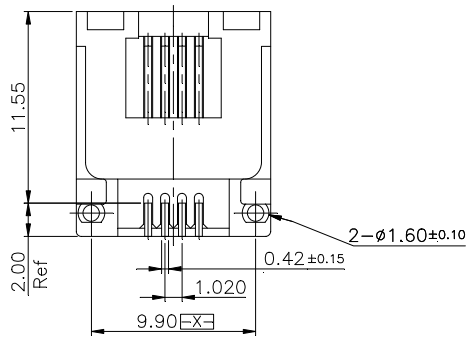


B



RECOMMENDED P.C.B LAYOUT
TOP VIEW (COMPONENT SIDE)

C



Electrical:

- 1.Voltage Rating: 125 Vac Rms
- 2.Current Rating: 1.5 Amp
- 3.Contact Resistance: 40 Milliohms Max
- 4.Insulation Resistance: 1000 Megohms Min@500 Vdc
- 5.Dielectric Strength: 1000 Vac Rms 60Hz, 1Min

Mechanical:

- 1.Operating: 750 Cycles Min

Environmental:

- 1.Storage: -40°C To +85°C
- 2.Opertion: -20°C To +75°C

Mates With Modular Plug Conforming To FCC Part 68,Subpart F

D

E

Notes:

MATERIALS

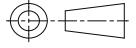
HOUSING: HIGH TEMP THERMOPLASTIC FLAMMABILITY
UL 94V-0

CONTACTS: PHOSPHOR BRONZE

PLATING: GOLD PLATING OVER NICKEL IN CONTACT
TIN PLANTING OVER NICKEL IN SOLDER AREA

F

ROHS

TOLERANCE UNLESS OTHERWISE SPECIFIED		CUSTOMER COPY			Coorle Technology					
LINER	ANGLES				PROD. EMBEDDED PCB JACK		DESCRIP. (4P4C SMT无耳)		PROD. NUMBER	
0 ± 0.50	± 3'	PROJECTION 			DESIGN	UNIT	SCALE	SIZE	REV.	Http://www.coorle.cn Tel: 0769-81585156 Fax: 0769-81605156
.0 ± 0.38					APPRO.	MM	4/1	A4	A	
.00 ± 0.25										